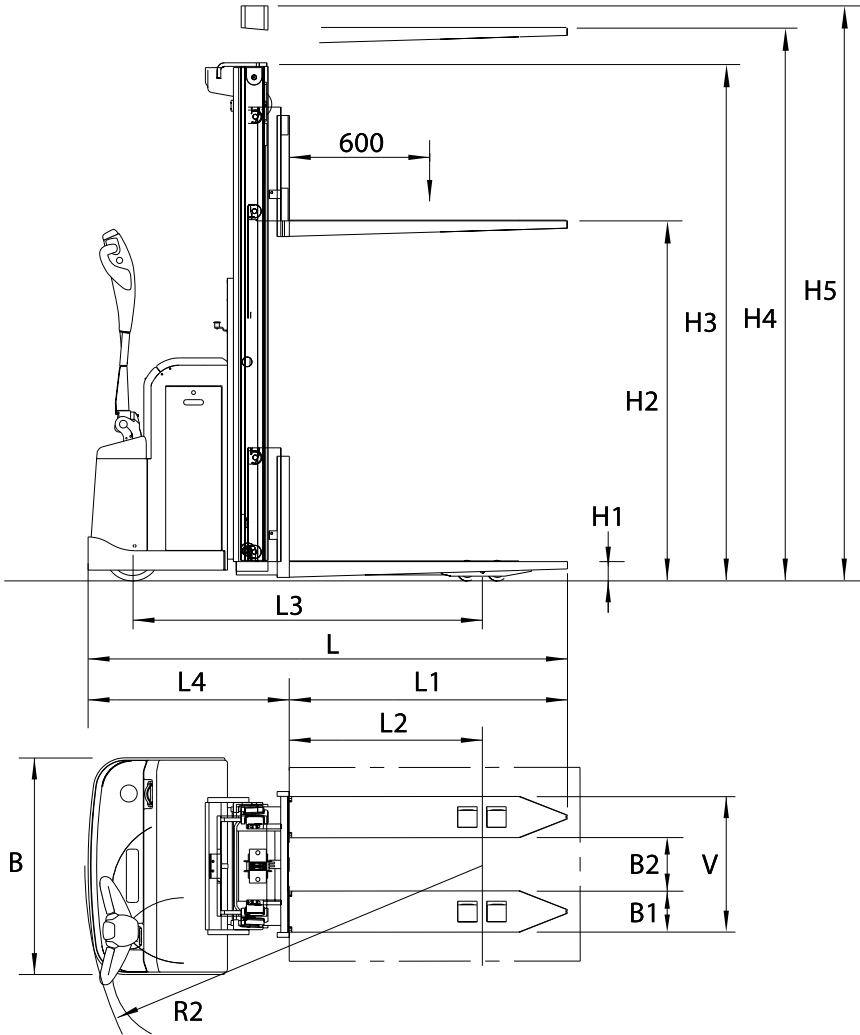


PEDESTRIAN STACKER



ALTO PSH 160STFV

The pedestrian stacker for heavy operation. Robust and powerful. Battery on rollers. Offset tiller arm with all controls in the tillerhead for easy handling.



Mast type	Standard lift height H4	Min mast height H3	Max mast height H5
Telescopic	1670	1375	2170
	2400	1740	2900
	2900	1990	3400
	3200	2140	3700
	3600	2340	4100
	3800	2440	4300
	4200	2640	4700
Double telescopic			



					ALTO PSH 160STFV
Lift capacities	0	Specification			
	0a	Straddle leg position			Narrow
	1	Lift capacity	Q	kg	1600
	1a	Load centre	D	mm	400 - 600
	2	Lift height	H4	mm	See table
	2a	Mast height	H3/H5	mm	See table
	2b	Transport free lift	H2 T mast	mm	
	2c	Full free lift	H2 DT mast	mm	
	2d	Straddle lift		mm	110 Option
	3	Mast tilt. Forward - backward			
3a	Tilting forks. Forward - backward				
4	Lift speed. Without load - with normal load		m/s	0,23 - 0,15	
4a	Lift time. Without load - with normal load		s		
4b	Lift speed, ergolift. Without load - with normal load		m/s		
5	Lowering speed. Without load - with normal load		m/s	0,20 - 0,40	
5a	Lowering time. Without load - with normal load		s		
Drive capacities	6	Drive speed. Without load - with normal load		km/h	5,9 - 5,5
		Drive speed. Without load - with normal load		m/s	
	6a	Acceleration 0-10 km/h			
		Without load - with normal load		s	
	8	Gradient, without load / with normal load	max	%	10/8
	10	Turning radius	R2	mm	1625
	11	Smallest practical stacking aisle incl 200 mm play			
		Load length 1200 mm	Ast	mm	2240
		Load length 1000 mm	Ast	mm	
		Load length 800 mm	Ast	mm	
	Aisle width requirement according to BITA GN9 UK market only	A1	mm		
		A2	mm		
		A3	mm		
	Smallest practical stacking aisle with pallet LL 1200 with the platform				
	folded up/folded down	Min	mm		
11a	Intersecting aisle width. Load length 1200 mm	Min	mm		
11c	Max load length	LL	mm		
11d	Max load width	LB	mm		
Truck measurements	13	Height of overhead guard	H6	mm	
	13a	Height of driver seat	H7	mm	
	13b	Step-in height	Y1	mm	
	13c	Floor height		mm	
	13d	Width of open gate		mm	
	14	Truck length	L	mm	1980
	15	Truck width	B	mm	895
	15a	Width over guide wheels	A	mm	
	15b	Width over stabilisers	S	mm	1415 Option
	15c	Platform length		mm	
	15d	Platform width	B3	mm	
	15e	Height of platform gates		mm	
	16	Fork length	L1	mm	1000 / 1150
	17	Width over forks	V max/min	mm	560
	17a	Width between forks		mm	
	18	Reach length	U	mm	
	19	Distance from back plate to retracted fork heel	L4 T-mast	mm	830
		Distance from back plate to retracted fork heel	L4 DT-mast	mm	
	20	Fork arm, width - thickness	B1	mm	170 - 70
	20a	Fork height, min	H1	mm	90
21	Straddle height	H8	mm	80	
22	Width between straddles	B2	mm	265	
22a	Width over straddles		mm	515	
23	Distance between front axle and retracted fork heel	L2	mm	650-800	
23a	Distance between front axle and centre of attachment	L2	mm		
23b	Distance between front axle and heel of extended fork	X1	mm		
24	Axle distance	L3	mm	1448	
25	Wheel track, front rear (centre lines wheels)		mm	390	
26	Ground clearance at half axle distance		mm		
Weights	27	Total weight with-without battery.		kg	1300 - 1000
	28	Max axle pressure, fork side, without/ with classified load		kg	
	29	Max axle pressure, drive side, without/with classified load		kg	
	30	Max wheel point loading, without/with classified load		MPa	
Motors	39	Battery capacity		kWh/Ah	240-345
	39a	Battery voltage		V	24
	41	Drive motor		kW	1,0
	42	Speed regulation			ATC T4
	43	Lift motor. Output/Interm. conn.time		kW-%/min	3,0
43a	Hydraulic pressure		MPa		
Steering/brake system	44	Wheel type, drive wheel/others			Vulcollan
	44a	Number of wheels, drive/castor - load wheels			2 - 4
	45	Wheel dimensions			
	45a	Load wheels - diameter x width		mm	(4) x 85x75
	45b	Drive wheel - diameter x width		mm	(1) x 230x70
	45c	Castor wheels - diameter x width		mm	(1) x 140x60
	46	Steering			Tiller arm
	47	Service brake - Type-acting on			El. - drive motor
48	Parking brake - Type-acting on.			El. - drive motor	

2010-04-14

* Varies according to battery size

All rights reserved to change above specification