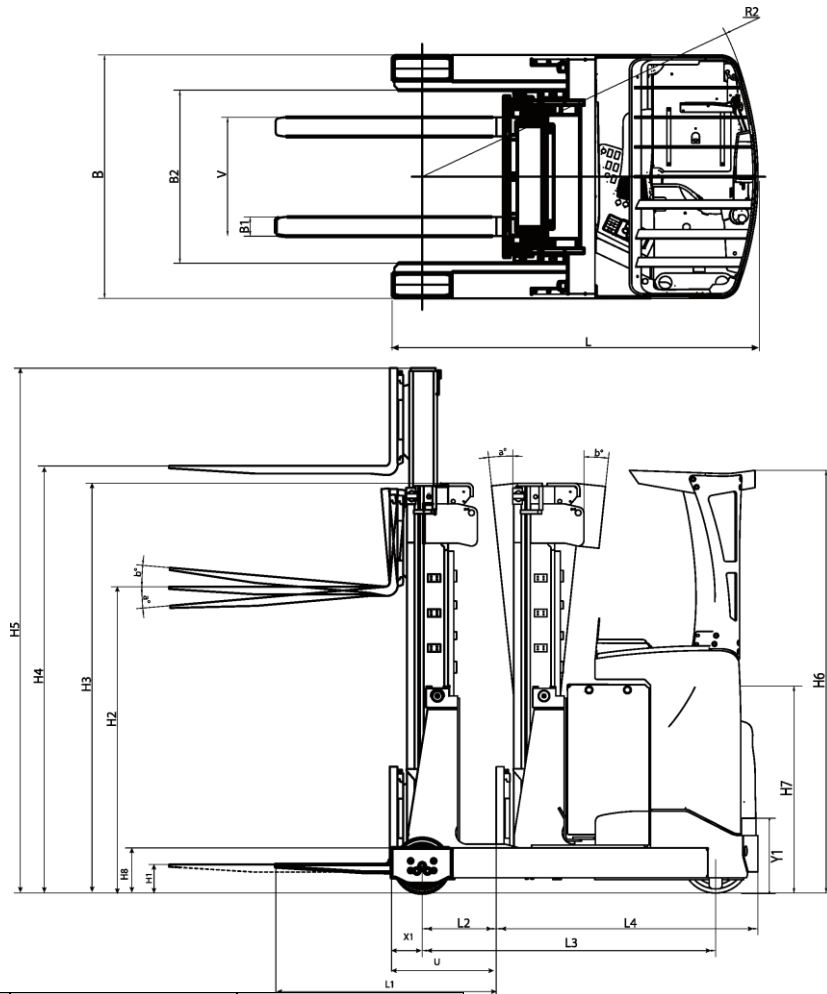




Market leading ergonomics with fully adjustable operator environment makes the operator focused and efficient all shift. Along with personal settings for top performance makes this a really efficient reach truck.



Mast Type	Standard lift height H4	Min mast height	Max mast height H5
Telescopic			
Double telescopic	4800	2140	5380
	5400	2340	5980
	6300	2640	6880
	6750	2790	7330
	7250	2957	7830
	7500	3040	8080
	7950	3190	8530
	8450	3357	9030
	8950	3523	9530

	0	Specification		UMS 160	
Lift capacities	0a	Straddle leg position		Narrow	
	1	Lift capacity	Q	kg	1600
	1a	Load centre	D	mm	600
	2	Lift height	H4	mm	See table
	2a	Mast height	H3/H5	mm	See table
	2b	Transport free lift	H2 TV mast	mm	
	2c	Full free lift	H2 DT mast	mm	H3-540
	2d	Straddle lift		mm	
	3	Mast tilt. Forward - backward			1/1 - 1/3
	3a	Tilting forks. Forward – backward (Optional)			1/4
	4	Lift speed. Without load - with load		m/s	0.80-0.49
	4a	Lift time. Without load - with load		s	
	4b	Lift speed, ergolift. Without load - with load		m/s	
	Drive capacities	5	Lowering speed. Without load - with load		m/s
5a		Lowering time. Without load - with load		s	
6		Drive speed. Without load - with load		km/h	14.5-14.3
6a		Drive speed. Without load - with load		m/s	
		Acceleration 0-10 m Without load - withload		s	4.4-4.8
8		Gradient, without load / with load	max	%	11.1/8.5
10		Turning radius	R2	mm	1668
11		Smallest practical stacking aisle incl 200 mm play			
		Load length 1200 mm	Ast	mm	2629*
		Load length 1000mm	Ast	mm	2429*
		Load length 800mm	Ast	mm	2229*
		Aisle width requirement according to BITA GN9 UK market only	A1	mm	
			A2	mm	
			A3	mm	
	Smallest practical stacking aisle with pallet LL 1200 with the platform	Min	m		
11a	m folded up/folded down Intersecting aisle width. Load length 1200 mm	Min	mm		
11c	Max load length	LL	mm		
Truck measurements	13	Height of overhead guard	H6	mm	2205
	13a	Height of driver seat	H7	mm	1077
	13b	Step-in height	Y1	mm	390
	13c	Floor height		mm	570-640
	13d	Width of open gate		mm	
	14	Truck length	L	mm	1800
	15	Truck width	B	mm	1270
	15a	Width over guidewheels	A	mm	
	15b	Width over stabilisers	S		
		mm 15c	Platform length		
	15d	Platform width	B3	mm	
	16	Fork length	L1	mm	800-1000-1150
	17	Width over forks	V max/min	mm	697 / 316
	17a	Width between forks		mm	
	18	Reach length	U	mm	596-452*
	19	Distance from back plate to retracted fork heel	L4 T-mast	mm	
		Distance from back plate to retracted fork heel	L4 DT-mast	mm	1229-1373*
	20	Fork arm, width - thickness	B1	mm	100-40
	20a	Fork height, min	H1	mm	50
	21	Straddle height	H8	mm	235
	22	Width between straddles	B2		912
		mm 22a	Width over straddles		
	23	Distance between front axle and retracted fork heel	L2		439-295*
		mm 23a	Distance between front axle and centre of attachment	L2	157
24	Axle distance	L3	mm	1448	
25	Wheel track, front rear (centre lines wheels)		mm	0-1130	
26	Ground clearance at half axle distance		mm	70	
Weights	27	Total weight with-without battery.		kg	3527-2400*
	28	Max axle pressure, fork side, without/ with classified load		kg	1316/4431*
	29	Max axle load, drive side, without/with classified load		kg	2211/696
	30	Max wheel point loading, without/with classified load		MPa	4,5 / 6,4
Motors	39	Battery capacity		kWh/Ah	450-750
	39a	Battery voltage		V	48
	41	Drive motor		kW	7.2
	42	Speed regulation			AC Transistor
	43	Lift motor. Output/Interm. conn.time		kW-%/min	15-15%
43a	Hydraulic pressure		MPa	15	
Steering/brake system	44	Wheel type, drive wheel/others			Vulcollan
	44a	Number of wheels, drive/castor - load wheels			1x/2
	45	Wheel dimensions			
	45a	Load wheels - diameter x width		mm	230x105
	45b	Drive wheel - diameter x width		mm	355x155
	45c	Castor wheels - diameter x width		mm	
	46	Steering			El.power steering
47	Service brake - Type-acting on			El. - drive motor	
48	Parking brake - Type-acting on.			El. - drive motor	

* Varies according to battery size

All rights reserved to change above specification